



X⁴ SpaceSaver X-ray Inspection Systems

www.loma.com

Versatile, proven X-ray detection for the food and packaging industries



- **Versatile** Models and reject systems to suit a wide range of packaged product
- **Easy to use** Intuitive full colour touch-screen
- **Sensitive** High performance, auto configuring contaminant detection algorithms
- **Fast** Belt speeds up to 40m/min with optimum performance
- **Reliable** Heavy duty conveyor components, built for 24/7 operation



Metal Detection

X-ray Inspection

Checkweighers

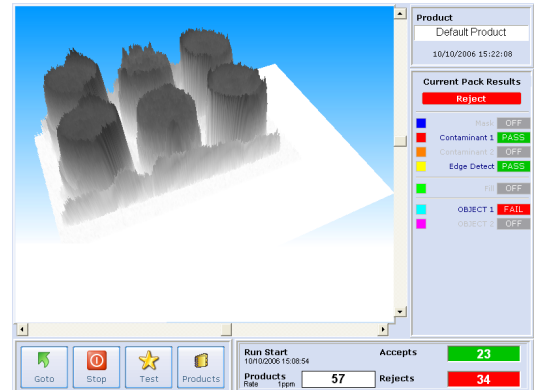
Data Capture

Designed to Survive



X-ray Inspection Systems

- Finish: 304 stainless steel with brushed finish
- Typical Line Height: 900mm ± 50mm
- System Length: 1150mm
- Belt Width: 300/500mm
- Maximum Weight: 10Kg
- Supply Voltages: 230/1ph/50Hz N+E or 110/1ph/60Hz N+E
- Air Supply: 5 to 8 bar
- Reject Options: Signal only
- Environment: IP 55
- Belt Type: Flat (food quality) belt
- Standard Inclusions: Height adjustable feet, Missing product, Image and report archiving, Hinged interlocked covers, Variable speed
- Options: Reject confirmation, Bin full sensing, Survey meter, Remote diagnostics, Lockable wheels, LomaEnet



Technical Specification

Industrial Grade PC with modem, Ethernet and front access USB port

Embedded Windows XP operating system

Digitally controlled WASC (Wide Angle, Self Cooled) high performance X-ray tank. (Tube life estimated at 7 to 10 years)

Unique USB high speed, high stability, detector array with 0.8mm diode pitch.

Computer vision system utilising image processing and morphological techniques

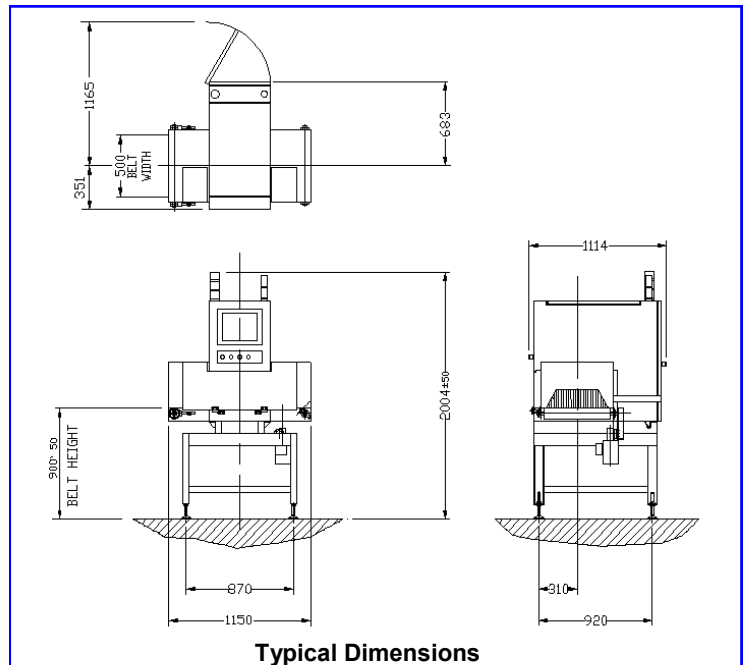
Pass Key protected set-up

USB Report and image archiving

Full diagnostic and system health monitoring with date and time stamp archiving, including remote support tools

Usage monitoring with planned maintenance prompts

Modular system with speed digital communications between major components



QPM Ltd., Unit 12, Robinhood Business Park, Robinhood Road, Dublin 22, Ireland
Tel: +353 (0) 1 450 2421, Fax: +353 (0) 1 450 2311,
Email: mnevin@qpm.ie Web: www.qpm.ie



Designed to Survive