



X-Weigh Inspection Systems

www.loma.com

Combined X-ray and checkweighing for the food and packaging industries



- **Versatile** Contaminant inspection and checkweighing in one fully integrated system
- **Easy to use** Single intuitive full colour touch-screen for both applications
- **Sensitive** Auto calibration, which requires no programming and maximizes performance
- **Accurate** Accuracy comparable with traditional checkweighers
- **Fast** Belt speeds up to 70 m/min with optimum performance



Metal Detection



Checkweighers

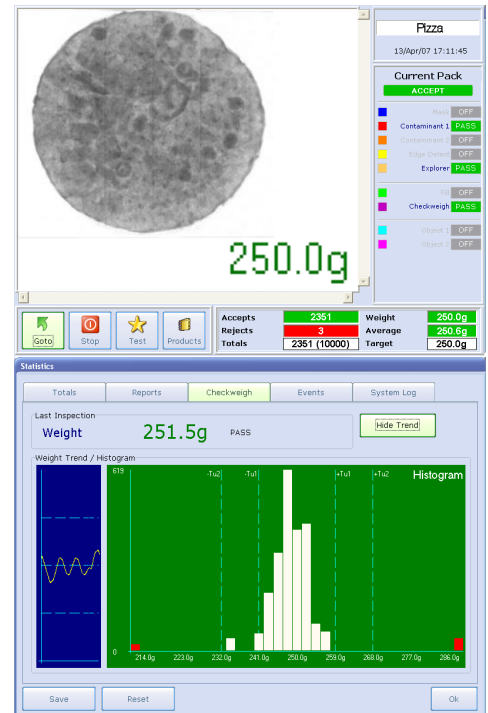


X-ray Inspection



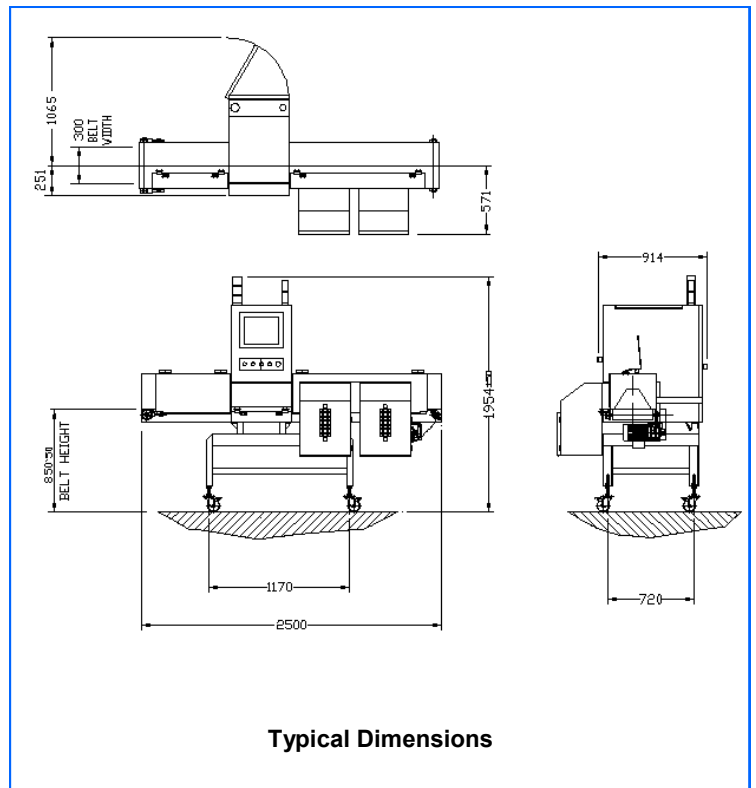
X-ray Inspection Systems

Finish:	304 stainless steel with brushed finish
Typical Line Height:	900mm ± 50mm
Typical Length:	2500mm
Belt Width:	300/500mm
Supply Voltages:	230/1ph/50Hz N+E or 110/1ph/60Hz N+E
Air Supply:	5 to 8 bar
Reject Options:	Air Blast single or twin, Pusher others to order
Environment:	IP 55
Belt Type:	Flat (food quality) belt
Standard Inclusions:	Height adjustable feet, Mass Measurement, Missing product, Image and report archiving, Hinged interlocked covers, Variable speed
Options:	Reject confirmation, Bin full sensing, Reject bin, Survey meter, Remote diagnostics, Lockable wheels, LomaEnet, Wash-down Upgrade



Technical Specification

- Industrial Grade PC with modem, Ethernet and front access USB port
- Embedded Windows XP operating system
- Digitally controlled WASC (Wide Angle, Self Cooled) high performance X-ray tank. (Tube life estimated at 7 to 10 years)
- Unique USB high speed, high stability, detector array with 0.8mm diode pitch.
- Computer vision system utilising image processing and morphological techniques
- Pass Key protected set-up
- USB Report and image archiving
- Full diagnostic and system health monitoring with date and time stamp archiving, including remote support tools
- Usage monitoring with planned maintenance prompts
- Modular system with speed digital communications between major components



Typical Dimensions

QPM Ltd., Unit 12, Robinhood Business Park, Robinhood Road, Dublin 22, Ireland
 Tel: +353 (0) 1 450 2421, Fax: +353 (0) 1 450 2311,
 Email: mnevin@qpm.ie Web: www.qpm.ie



Designed to Survive