



IQ³⁺ PipeLine Metal Detection

www.loma.com

Versatile, proven metal detection systems for food, and other process industries



- **Versatile** A wide range of pipe diameters and fittings
- **Easy to use** Touch screen - true Variable Frequency detection, adapts to new products in seconds
- **Sensitive** Advanced signal processing provides unsurpassed levels of detection
- **Efficient** Fast acting application specific reject devices minimise product waste
- **Reliable** Heavy duty environmental protection even in the harshest of environments



Metal Detection

X-ray Inspection

Checkweighers

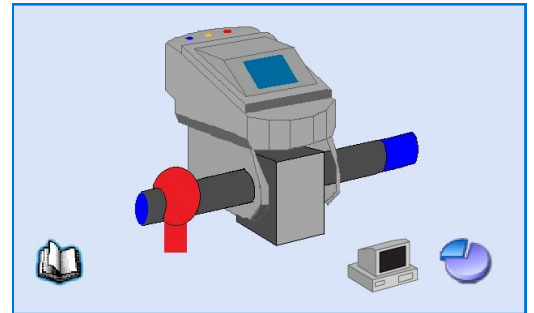
Data Capture

Designed to Survive



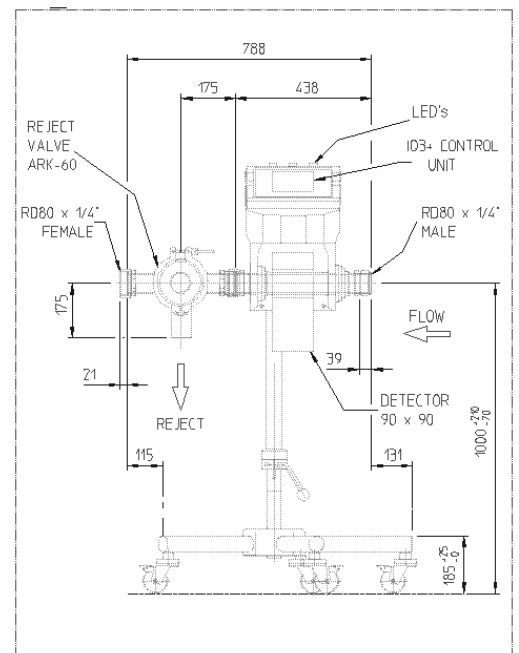
IQ³⁺ PipeLine Metal Detection

- Finish: 304 stainless steel with brushed finish
- Pipe Diameters: 2.5" (57mm)
 (nominal bore) Vacuum Filler applications for strip-down cleaning
 Typical products - Meat and Sausage
- 2" (48mm) 3" (73mm) 4" (98mm)
 General pumped applications with CIP cleaning
 Typical products - Liquids, Emulsions, Slurries and Pastes
- Mounting: Stand on wheels with Gas Strut height adjustment
 L-Bracket for fixed installations
- Throughput: Up to 10T/hr
- Fittings: 2.5" (57mm) Rd80 x 1/4"
 Handtmann Quarter Turn Quick Disconnect
 2" (48mm), 3" (73mm) and 4" (98mm)
 Tri-Clamp Quick Release, 3A Bevel
- Adapter Options: DIN11851, SMS, RJT
- Product Pipe: Standard or water jacket
- Reject Valves: Various according to application
- Environmental Protection: IP 69K
 Keyboard cover supplied as standard
- Options: Remote Control Box Remote Reports
 Beacon Stanchion Serial Link



Technical Specification

- PVS (Performance Validation Signal) to aid HACCP compliance
- Various communication options to suit plant integration protocols
- Direct transmitter drive to eliminate thermal drift
- High field strength to eliminate external interference and deliver the ultimate in noise free detection
- 32-bit digital signal processing for enhanced contaminant detection
- Hand Filler, Clipper and Linker Applications
- Handtmann (VF50, 80, 100, 200, 300, 608, 610, 611, 612, 616, 620, 622, 628, 630, 634)
- Vemag (HP7C, HP10C, HP15C, HP17C, HP25E, DP10C, DP15C, ROBBY-2)
- Built in USB and Ethernet Ports



Typical Dimensions 2.5" (57mm)

QPM Ltd., Unit 12, Robinhood Business Park, Robinhood Road, Dublin 22, Ireland
 Tel: +353 (0) 1 450 2421, Fax: +353 (0) 1 450 2311,
 Email: mnevin@qpm.ie Web: www.qpm.ie



Designed to Survive